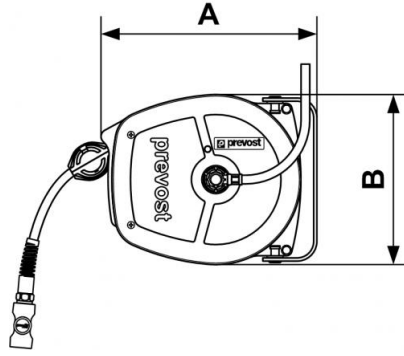


DSF/I series - 304 stainless steel - Polyurethane hose Ether base



<p>ID (in) 5/16"</p> <p>Flow rate (cfm) 23</p> <p>Technology Pipe locked with ratchet stop</p>	<p>Length (ft) 17'</p> <p>Swivel inlet (in) 5/16"</p> <p>Max operating pressure 174 psi</p>	<p>Coupler ESI 07HE</p> <p>Weight (lb) 6.60</p> <p>Construction AISI 304 stainless steel case</p>
<p>Connection 3.3 ft of inlet supply hose</p>		<p>Equipped with Swivel bracket</p>

Description						
Reference	ID (in)	Length (ft)	Coupler	Flow rate (cfm)	Swivel inlet (in)	Weight (lb)
DSFI 0805ESHE	5/16"	17'	ESI 07HE	23	5/16"	6.60



Dimensions

Reference	A mm	B mm
DSFI 0805ESHE	275	218