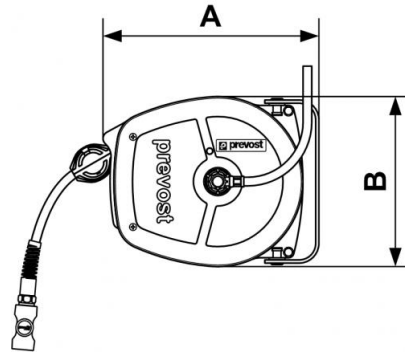


## DSF Series - small - Polyurethane hose w/ polyester base



Description						
Reference	ID (in)	Length (ft)	Coupler	Flow rate (cfm)	Swivel inlet (in)	Weight (lb)
<b>DSF 0805IS</b>	5/16"	17'	ISI 06	23	5/16"	6.60
<b>DSF 1003IS</b>	3/8"	10'	ISI 06	29	3/8"	6.60
<b>DSF 0805US</b>	5/16"	17'	USI 06	23	5/16"	6.60
<b>DSF 1003US</b>	3/8"	10'	USI 06	29	3/8"	6.60
<b>DSF 0805ES</b>	5/16"	17'	ESI 07	23	5/16"	6.60
<b>DSF 1003ES</b>	3/8"	10'	ESI 07	39	3/8"	6.60
<b>DSF 0805CS</b>	-	5	CSI 06	650	8 x 11	3

Reference	ID (in)	Length (ft)	Coupler	Flow rate (cfm)	Swivel inlet (in)	Weight (lb)
<b>DSF 1003CS</b>	10 x 14	3	CSI 06	833	10 x 14	3



Dimensions		
Reference	A mm	B mm
<b>DSF 0805IS</b>	275	218
<b>DSF 1003IS</b>	275	218
<b>DSF 0805US</b>	275	218
<b>DSF 1003US</b>	275	218
<b>DSF 0805ES</b>	275	218
<b>DSF 1003ES</b>	275	218
<b>DSF 0805CS</b>	275	218
<b>DSF 1003CS</b>	275	218