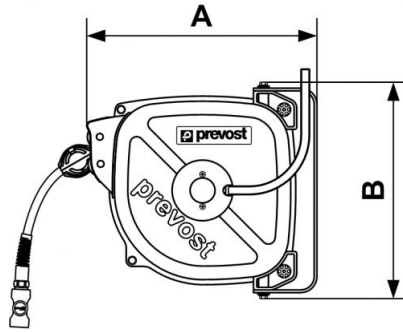


## DRF Series - Medium - Economy type - Outer hose: PU/PVC - Inner: PU ether base



Description						
Reference	ID (in)	Length (ft)	Coupler	Fixed inlet (in)	Flow rate (cfm)	Weight (lb)
<b>DRF 0812IS</b>	5/16"	40'	ISI 06	5/16"	18	13.22
<b>DRF 0815IS</b>	5/16"	50'	ISI 06	5/16"	12	15.43
<b>DRF 1010IS</b>	3/8"	33'	ISI 06	3/8"	29	12.57
<b>DRF 1012IS</b>	3/8"	40'	ISI 06	3/8"	28	14.99
<b>DRF 1015IS</b>	3/8"	50'	ISI 06	3/8"	28	15.9
<b>DRF 0812US</b>	5/16"	40'	USI 06	5/16"	18	13.22
<b>DRF 0815US</b>	5/16"	50'	USI 06	5/16"	12	15.43
<b>DRF 1010US</b>	3/8"	33'	USI 06	3/8"	29	12.57
<b>DRF 1012US</b>	3/8"	40'	USI 06	3/8"	28	14.99
<b>DRF 0812ES</b>	5/16"	40'	ESI 07	5/16"	18	13.22

Reference	ID (in)	Length (ft)	Coupler	Fixed inlet (in)	Flow rate (cfm)	Weight (lb)
<b>DRF 0815ES</b>	5/16"	50'	ESI 07	5/16"	12	15.43
<b>DRF 1010ES</b>	3/8"	33'	ESI 07	3/8"	32	12.57
<b>DRF 1012ES</b>	3/8"	40'	ESI 07	3/8"	28	14.99
<b>DRF 1015ES</b>	3/8"	50'	ESI 07	3/8"	28	15.87
<b>DRF 0812CS</b>	-	12	CSI 06	5/16"	18	13.22
<b>DRF 0815CS</b>	-	15	CSI 06	8 X 12	12	15.43
<b>DRF 1010CS</b>	-	10	CSI 06	3/8"	29	12.57
<b>DRF 1012CS</b>		12	CSI 06	3/8"	28	14.55



### Dimensions

Reference	A inch	B inch
<b>DRF 0812IS</b>	13.386	11.89
<b>DRF 0815IS</b>	14.567	13.268
<b>DRF 1010IS</b>	13.386	11.89
<b>DRF 1012IS</b>	14.567	13.268
<b>DRF 1015IS</b>	14.567	13.268
<b>DRF 0812US</b>	13.386	11.89
<b>DRF 0815US</b>	14.567	13.268
<b>DRF 1010US</b>	13.386	11.89
<b>DRF 1012US</b>	14.567	13.268
<b>DRF 0812ES</b>	13.386	11.89
<b>DRF 0815ES</b>	14.567	13.268
<b>DRF 1010ES</b>	13.386	11.89
<b>DRF 1012ES</b>	14.567	13.268
<b>DRF 1015ES</b>	14.567	13.268
<b>DRF 0812CS</b>	13.386	11.89
<b>DRF 0815CS</b>	14.567	13.268
<b>DRF 1010CS</b>	13.386	11.89
<b>DRF 1012CS</b>	14.567	13.268