

Unequal plug in Y - Metric tube - RPY PT



For tube OD (x2) (mm)

4

Fitting ID (mm)

6

Operating pressure

0 to 145 psi

Temperature

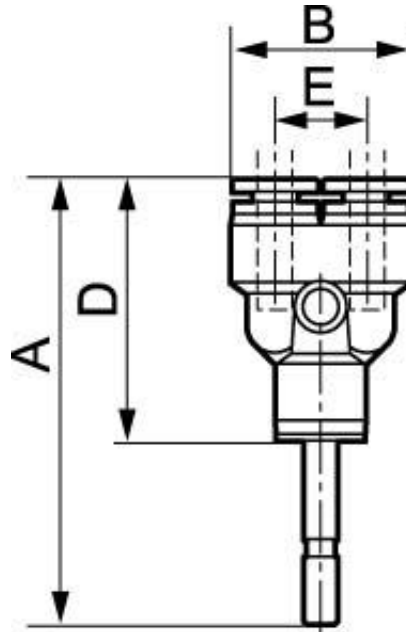
+32°F to +140°F

Construction

Polymer and nickel-plated brass

Description

Reference	For tube OD (x2) (mm)	Fitting ID (mm)
RPY PT0604	4	6
RPY PT0806	6	8
RPY PT1008	8	10
RPY PT1210	10	12



Dimensions

Reference	A inch	B inch	D inch	E inch
RPY PT0604	0.17224409448819	0.065616797900262	0.10170603674541	0.034448818897638
RPY PT0806	0.18044619422572	0.083989501312336	0.10990813648294	0.042650918635171
RPY PT1008	0.19685039370079	0.090551181102362	0.11482939632546	0.04757217847769
RPY PT1210	0.23228346456693	0.11023622047244	0.1492782152231	0.059055118110236