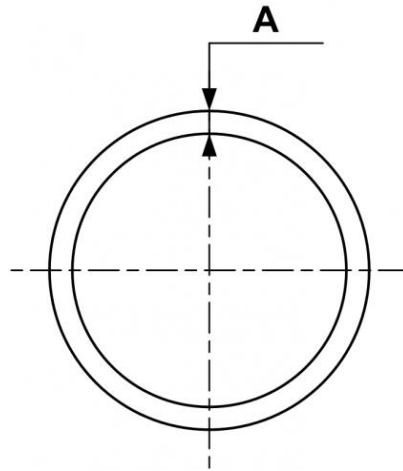


PPS - Aluminum green pipe for nitrogen



| | | | |
|--|---|---|--|
| <p><u>Pipe OD (in)</u> 3/4"</p> | <p><u>Length (ft)</u> 18'</p> | <p><u>Technology</u> PPS Grip Concept</p> | <p><u>Operating pressure</u> 0 to 232 psi</p> |
| <p><u>Vacuum capability</u> -29 inHg (vacuum 98%)</p> | <p><u>Temperature</u> -4°F to +176°F</p> | <p><u>Construction</u> Pipe and fittings: aluminum</p> | <p><u>Highlight</u> Scalable system</p> |
| <p><u>Meets standards</u> ASME B31.3 REACH</p> | | | |

| Description | | |
|-------------|--------------|-------------|
| Reference | Pipe OD (in) | Length (ft) |
| PPS VTU2018 | 3/4" | 18' |
| PPS VTU2518 | 1" | 18' |
| PPS VTU5018 | 2" | 18' |



| Dimensions | |
|--------------------|--------|
| Reference | A inch |
| PPS VTU2018 | 0.051 |
| PPS VTU2518 | 0.055 |
| PPS VTU5018 | 0.079 |