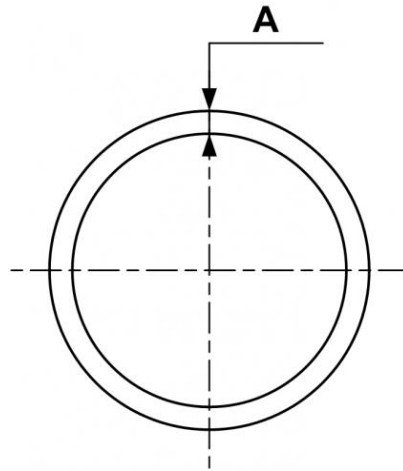


PPS - Aluminum green pipe for nitrogen



<u>Pipe OD (in)</u> 2"	<u>Length (ft)</u> 19.70'	<u>Technology</u> PPS Grip Concept	<u>Operating pressure</u> 0 to 232 psi
<u>Vacuum capability</u> -29 inHg (vacuum 98%)	<u>Temperature</u> -4°F to +176°F	<u>Construction</u> Pipe and fittings: aluminum	<u>Highlight</u> Scalable system
<u>Meets standards</u> ASME B31.3 REACH			

Description		
Reference	Pipe OD (in)	Length (ft)
PPS VTU5060	2"	19.70'
PPS VTU5018	2"	18'
PPS VTU2518	1"	18'
PPS VTU2018	3/4"	18'
PPS VTU2060	3/4"	19.70'
PPS VTU2560	1"	19.70'



Dimensions	
Reference	A inch
PPS VTU5060	
PPS VTU5018	
PPS VTU2518	0.055
PPS VTU2018	0.051
PPS VTU2060	1.3
PPS VTU2560	1.4