

prevoS1 blow gun with silent nozzle



**Blowing force (at 87 psi
(Ozf))**

6

**Noise level (at 87 psi
(dBA))**

74

Construction

Polyamide composite body

**Dynamic pressure ((psi)
at 0.39 inches, at 87 psi)**

3

Max operating pressure

174 psi

Highlight

Compact

**Air consumption (at 87
psi (cfm))**

5.5

Temperature

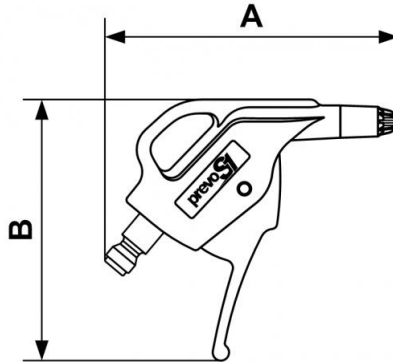
+5°F to +158°F

Connection

Built-in plug

Description

Reference	Blowing force (at 87 psi (Ozf))	Dynamic pressure ((psi) at 0.39 inches, at 87 psi)	Air consumption (at 87 psi (cfm))	Noise level (at 87 psi (dBA))
UBG 06SIL	6	3	5.5	74



Dimensions		
Reference	A mm	B mm
UBG 06SIL	109	97