

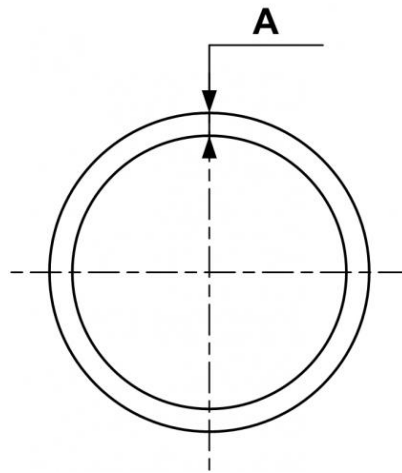
PPS - Aluminum grey pipe for vacuum



<p><u>Pipe OD (in)</u> 1/2"</p> <p><u>Operating pressure</u> 0 to 232 psi</p> <p><u>Construction</u> Pipe and fittings: aluminum</p>	<p><u>Length (ft)</u> 13.12'</p> <p><u>Vacuum capability</u> -29 inHg (vacuum 98%)</p> <p><u>Highlight</u> Scalable system</p>	<p><u>Technology</u> PPS Grip Concept</p> <p><u>Temperature</u> -4°F to +176°F</p> <p><u>Meets standards</u> ASME B31.3 REACH</p>
---	---	--

Description		
Reference	Pipe OD (in)	Length (ft)
PPS GTU1640	1/2"	13.12'
PPS GTU2060	3/4"	19.70'
PPS GTU2560	1"	19.70'
PPS GTU3260	1 1/4"	19.70'
PPS GTU4060	1 1/2"	19.70'
PPS GTU5060	2"	19.70'

Reference	Pipe OD (in)	Length (ft)
PPS GTU6360	2 1/2"	19.70'
PPS GTU8060	3"	19.70'
PPS GTU10060	4"	19.70'



Dimensions	
Reference	A mm
PPS GTU1640	1,3
PPS GTU2060	1,3
PPS GTU2560	1,4
PPS GTU3260	1,5
PPS GTU4060	1,8
PPS GTU5060	2,0

Reference	A mm
PPS GTU6360	2,0
PPS GTU8060	2,4
PPS GTU10060	