

Female thread double wall bracket - Outlet 2 couplers and drain



Inlet NPT female thread

1/2" FNPT

Outlet NPT female thread

1/2" FNPT

Operating pressure

0 to 232 psi

Temperature

-4°F to +176°F

Construction

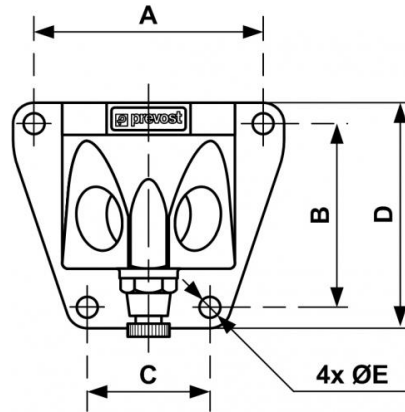
Aluminium alloy

Equipped with

Manual drain

Description

Reference	Inlet NPT female thread	Outlet NPT female thread
MF 203S2	1/2" FNPT	1/2" FNPT
MF 204S2	3/4" FNPT	1/2" FNPT



Dimensions

Reference	A mm	B mm	C mm	D mm	E mm
MF 203S2	71	57	38	74	6.5
MF 204S2	71	57	38	74	6.5