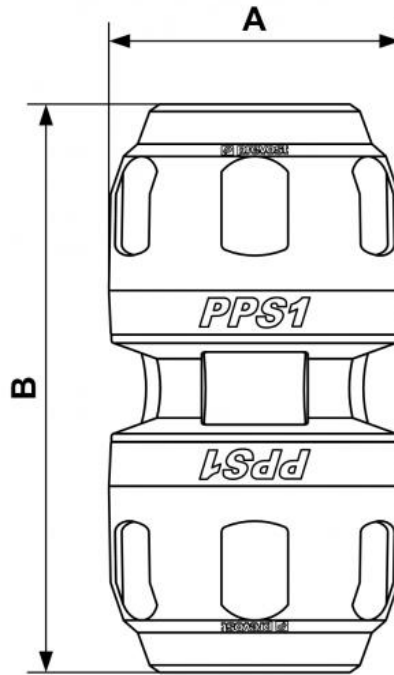


PPS1 UN - Aluminum union for pipe



| | | | |
|---|---|---|---|
| <u>For pipe OD (in)</u> (1) 1,2" | <u>Technology</u> PPS Grip Concept | <u>Operating pressure</u> 0 to 16 bar | <u>Vacuum capability</u> -0.98 bar (vacuum 98%) |
| <u>Temperature</u> -20°C to +80°C | <u>Construction</u> Pipe and fittings: alu. | <u>Highlight</u> Scalable system | <u>Meets standards</u> PED REACH |

| Description | |
|-------------|------------------|
| Reference | For pipe OD (in) |
| PPS1 UN16 | (1) 1,2" |
| PPS1 UN20 | (1) 3/4" |
| PPS1 UN25 | (1) 1" |
| PPS1 UN32 | (1) 1 1/4" |
| PPS1 UN40 | (1) 1 1/2" |
| PPS1 UN50 | (1) 2" |
| PPS1 UN63 | (1) 2 1/2" |
| PPS1 UN80 | (1) 3" |
| PPS1 UN100 | (2) 4" |
| PPS1 UN160 | (3) 6" |



Dimensions

| Reference | A inch | B inch |
|-------------------|--------|--------|
| PPS1 UN16 | 1.26 | 2.52 |
| PPS1 UN20 | 1.496 | 3.071 |
| PPS1 UN25 | 1.811 | 3.543 |
| PPS1 UN32 | 2.244 | 4.173 |
| PPS1 UN40 | 2.677 | 4.921 |
| PPS1 UN50 | 3.307 | 5.984 |
| PPS1 UN63 | 3.937 | 6.811 |
| PPS1 UN80 | 4.764 | 8.071 |
| PPS1 UN100 | 6.043 | 7.539 |
| PPS1 UN160 | | |