

prevoS1 blow gun with OSHA polyamide composite nozzle - Pocket model



Blowing force (at 87 psi (Ozf))

6

Noise level (at 87 psi (dBA))

89

Construction

Polyamide composite body

Dynamic pressure ((psi) at 0.39 inches, at 87 psi)

7.2

Max operating pressure

174 psi

Highlight

Compact

Air consumption (at 87 psi (cfm))

8.2

Temperature

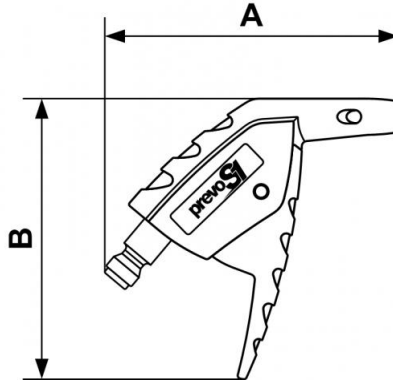
+5°F to +158°F

Connection

Built-in plug

Description

Reference	Blowing force (at 87 psi (Ozf))	Dynamic pressure ((psi) at 0.39 inches, at 87 psi)	Air consumption (at 87 psi (cfm))	Noise level (at 87 psi (dBA))
UPG 06OSH	6	7.2	8.2	89



Dimensions		
Reference	A mm	B mm
UPG 06OSH	97	93