

prevoS1 blow gun with OSHA polyamide composite nozzle



**Blowing force (at 87 psi
(Ozf))**

7

**Noise level (at 87 psi
(dBA))**

87

Construction

Polyamide composite body

**Dynamic pressure ((psi)
at 0.39 inches, at 87 psi)**

14

Max operating pressure

174 psi

Highlight

Compact

**Air consumption (at 87
psi (cfm))**

7.7

Temperature

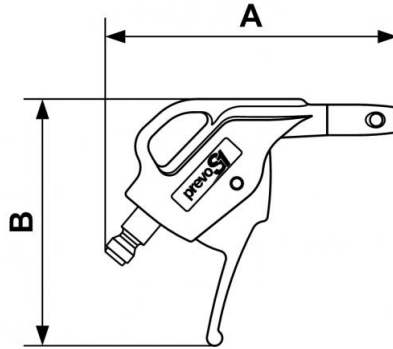
+5°F to +158°F

Connection

Built-in plug

Description

Reference	Blowing force (at 87 psi (Ozf))	Dynamic pressure ((psi) at 0.39 inches, at 87 psi)	Air consumption (at 87 psi (cfm))	Noise level (at 87 psi (dBA))
UBG 060SH	7	14	7.7	87



Dimensions		
Reference	A mm	B mm
UBG 060SH	115	97