

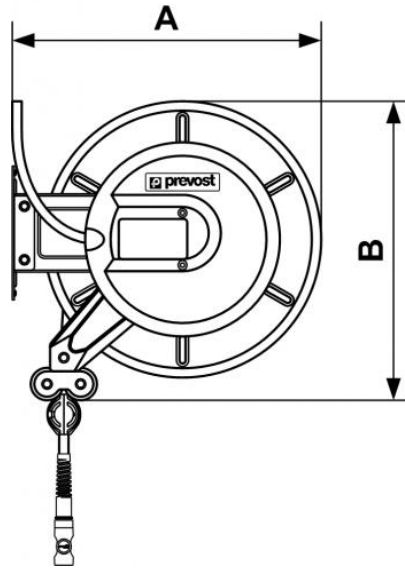
## DVO series - Medium - Polyurethane braided hose



<b>ID (in)</b> 3/8"	<b>Length (ft)</b> 82'	<b>Coupler</b> ISI 06	<b>Flow rate (cfm)</b> 18
<b>Swivel inlet</b> 3/8"	<b>Weight (lb)</b> 37.5	<b>Technology</b> Pipe locked with ratchet stop	<b>Max operating pressure</b> 174 psi
<b>Construction</b> Epoxy-coated steel case	<b>Connection</b> 3.3 ft of inlet supply hose	<b>Equipped with</b> Fixed bracket	

Description										
Reference	ID (in)	Length (ft)	Coupler	Flow rate (cfm)	Swivel inlet	Weight (lb)	ID/OD (mm)	Length (m)	Flow rate (l/min)	Weight (kg)
<b>DVO 1025IS</b>	3/8"	82'	ISI 06	18	3/8"	37.5	10 x 14	25	500	17
<b>DVO 1025ES</b>	3/8"	82'	ESI 07	18	G 3/8	37.5				

Reference	ID (in)	Length (ft)	Coupler	Flow rate (cfm)	Swivel inlet	Weight (lb)	ID/OD (mm)	Length (m)	Flow rate (l/min)	Weight (kg)
<b>DVO 1025US</b>			US1 06		3/8"					



Dimensions		
Reference	A inch	B inch
<b>DVO 1025IS</b>	1.509186351706	1.4665354330709
<b>DVO 1025ES</b>	460	447
<b>DVO 1025US</b>	1.509186351706	1.4665354330709