

## DGO series - Large - Rubber hose



**ID (in)**

3/8"

**Flow rate (cfm)**

18

**Technology**

Pipe locked with ratchet stop

**Length (ft)**

82'

**Swivel inlet (BSPP)**

3/8" FBSP

**Max operating pressure**

174 psi

**Coupler**

ISI 06

**Weight (lb)**

57.33

**Construction**

Epoxy-coated steel case

**Connection**

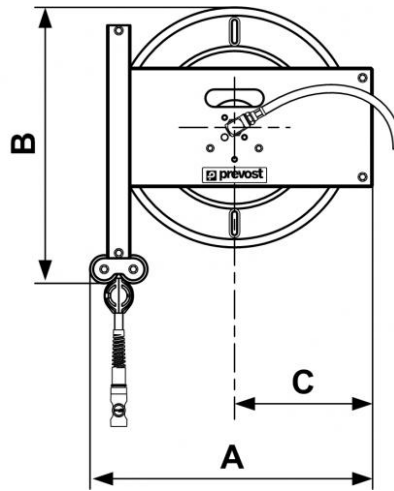
3.3 ft of inlet supply hose

**Equipped with**

Fixed bracket

### Description

Reference	ID (in)	Length (ft)	Coupler	Flow rate (cfm)	Swivel inlet (BSP)	Weight (lb)
<b>DGO 1025IS</b>	3/8"	82'	ISI 06	18	3/8" FBSP	57.33
<b>DGO 1320IS</b>	1/2"	65'	ISI 08	35	1/2" MBSP	59.52
<b>DGO 1610IS</b>	5/8"	33'	ISI 11EB	106	1/2" MBSP	55.12
<b>DGO 1025US</b>	3/8"	82'	USI 06	18	3/8" FBSP	57.33
<b>DGO 1320US</b>	1/2"	65'	USI 08	35	1/2" MBSP	59.52
<b>DGO 1610US</b>	5/8"	33'	USI 11	106	1/2" MBSP	55.12
<b>DGO 1025ES</b>	3/8"	82'	ESI 07	18	3/8" FBSP	57.33
<b>DGO 1320ES</b>	1/2"	65'	ESI 07	35	1/2" MBSP	59.52
<b>DGO 1025CS</b>	3/8"	25	CSI 06	500	G 3/8 FBSP	26
<b>DGO 1320CS</b>	1/2"	20	CSI 08	35	1/2" MBSP	59.52
<b>DGO 1610ES</b>	5/8"	33'	ESI 11EB	106	1/2" MBSP	55.12



### Dimensions

Reference	A mm	B mm	C mm
<b>DGO 1025IS</b>	485	475	237
<b>DGO 1320IS</b>	485	475	237
<b>DGO 1610IS</b>	485	475	237
<b>DGO 1025US</b>	485	475	237
<b>DGO 1320US</b>	485	475	237
<b>DGO 1610US</b>	485	475	237
<b>DGO 1025ES</b>	485	475	237
<b>DGO 1320ES</b>	485	475	237
<b>DGO 1025CS</b>	485	475	237
<b>DGO 1320CS</b>	485	475	237

Reference	A mm	B mm	C mm
DGO 1610ES	485	475	237