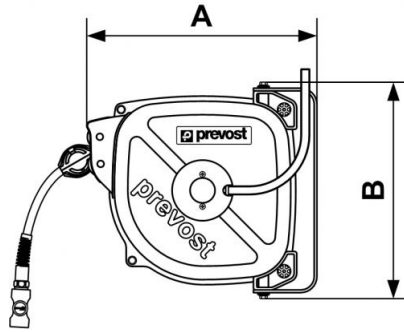


DRFB/I Serie - Hose reel w/ safety retraction - Stainless steel - Polyurethane hose Ether base



<u>ID (in)</u> 3/8"	<u>Length (ft)</u> 40'	<u>Coupler</u> ESI 07HE	<u>Flow rate (cfm)</u> 28
<u>Fixed inlet (in)</u> 3/8"	<u>Weight (lb)</u> 17.42	<u>Technology</u> Pipe locked with ratchet stop	<u>Max operating pressure</u> 174 psi
<u>Construction</u> AISI 304 stainless steel case	<u>Connection</u> 3.3 ft of inlet supply hose	<u>Equipped with</u> Swivel bracket	

Description						
Reference	ID (in)	Length (ft)	Coupler	Flow rate (cfm)	Fixed inlet (in)	Weight (lb)
DRFINB 1012ESHE	3/8"	40'	ESI 07HE	28	3/8"	17.42



Dimensions

Reference	A inch	B inch
DRFINB 1012ESHE	1.2139107611549	1.1056430446194